



NEW CHOCOLAT PRALINE/PÂTISSERIE DISPLAY CASE



IFI's free-standing **Chocolat** display case is a top-of-the-range product. It is designed for **master chocolate** makers who like to extol the quality of their products in the style of a real exhibition rather than in a traditional manner emphasizing just quantity. The **Chocolat** display case is IFI's finest free-standing solution for chocolate boutiques. It is minimalist in design and measures **5676 cm² (0,57 m²)**.

IFI's Chocolat is two display cases in one: in fact, the same display case can be used for pralines [+14°C, 45% U.R. MAX] or for patisserie [+4°/+8°C]; you just need to change the temperature and humidity settings on the control panel.

The display case has a **static refrigeration system** and falls in the category of 30°C / 55% relative humidity.

The display case comes in a single version of 1250 mm, with on-board or remote motor, and can be installed with or without platform.

Finishes for front, sides and drawer fronts:

- TINTED veneered multi-layer birch finish (with TINTED veneered multi-layer birch work surface)
- LACQUERED veneered multi-layer birch finish (with marble, granite or agglomerate work surface)
- polished stainless steel finish (with polished stainless steel work surface)

Chocolat is already available for delivery.



Section:

Customizable server's work surface
(in polished stainless steel, tinted multi-layer birch or marble, granite, agglomerate with lacquer)

Evaporator

Aesthetic false drawer

Extractable drawers

Stainless steel profile with polished BA finish

Gas-piston operated glass

Fixed glass

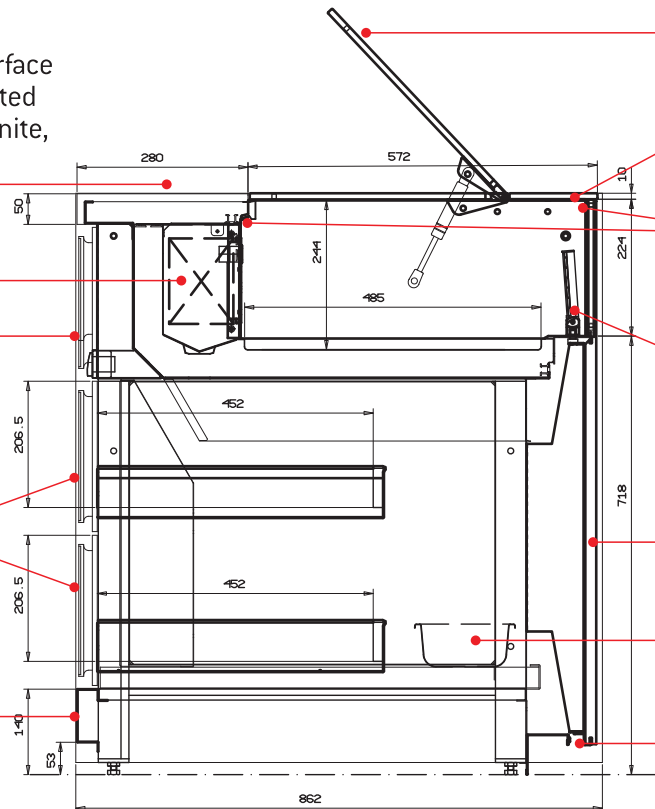
Standard grazing LED lighting on the server's and customer's side

Optional devices: 2 adjustable LED lights at the sides of the display case

Front panel with your choice of finish: tinted wood, lacquered or polished stainless steel.

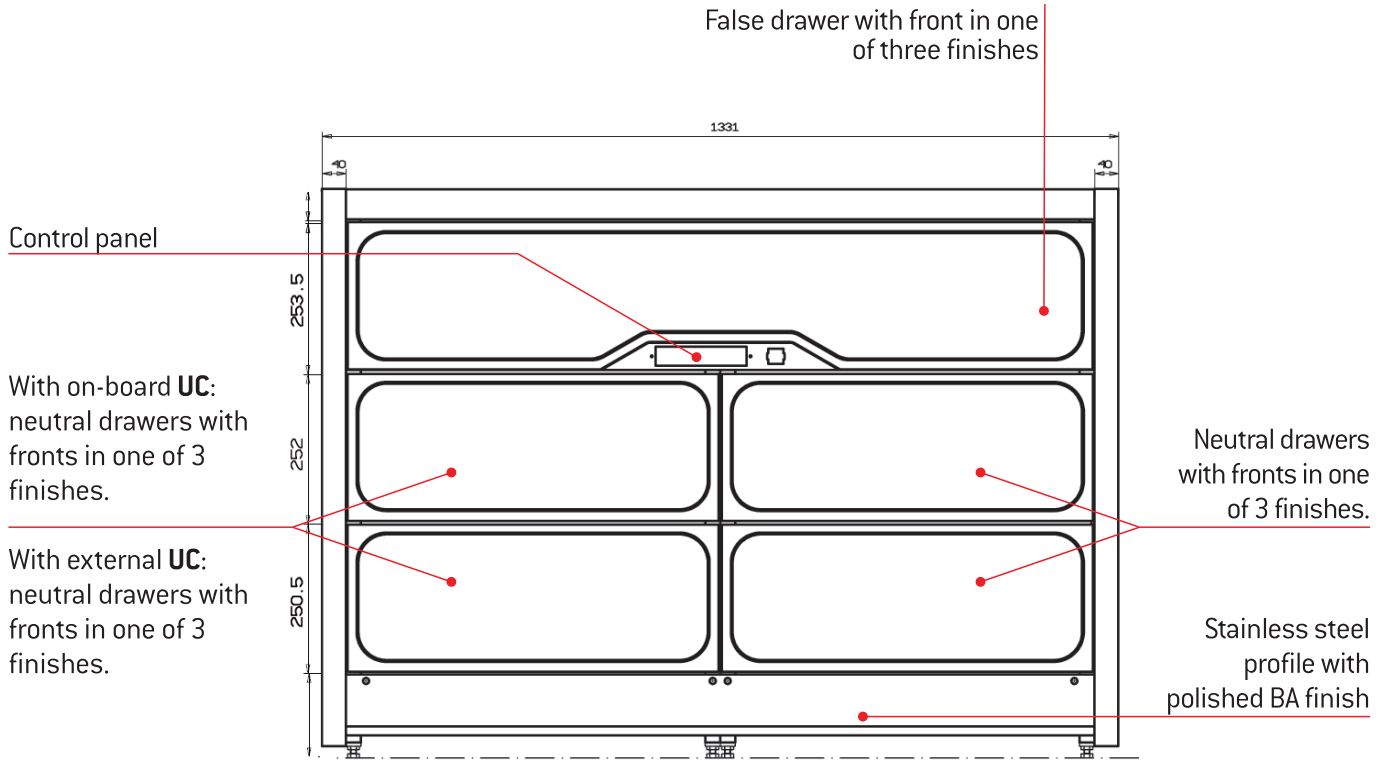
Condensation evaporation tub

Optional: LED lighting

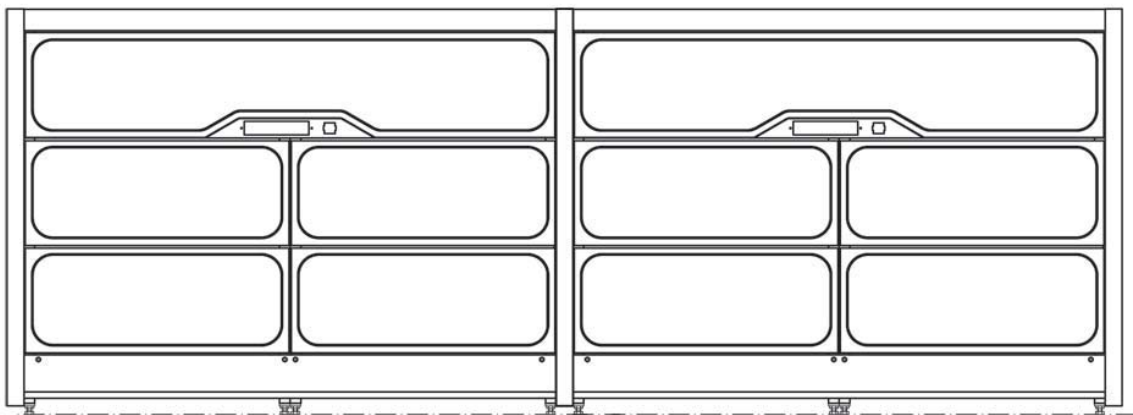


Piston-operated glass.

Back of server's side:



It is possible to connect 2 or more **Chocolat** display cases also with partitions between each one.





Control Panel.



False drawer with slits for motor ventilation.



Neutral drawer for tubs, belts and packs.

You will find the price list inside extranet on IFI's website.



Aishwarya Consolidates Pvt. Ltd.,
#19, Frist Floor, 10th 'B' Main, 27th Cross,
Third Block Jayanagar, BANGALORE – 560 011, INDIA
Tel: +91-80-2664 1200/1/2 Fax: +91-80-2664 1204
E-mail : aishtek@vsnl.com www.aishwaryaconsolidates.com